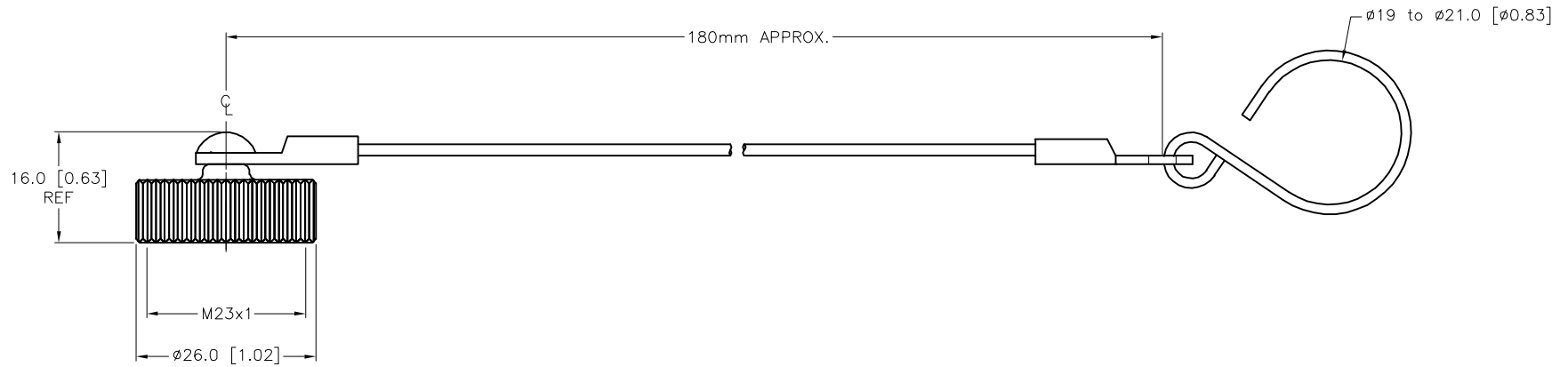


SPECIFICATIONS

CONNECTOR HOUSING MATERIAL/PLATING	STAINLESS STEEL/PASSIVATED
GASKET	RUBBER
CABLE MATERIAL	STAINLESS STEEL
TEMPERATURE RATING	-40°C to 125°C (-40°F to 257°F)



SOURCE DRAWING - FOR REFERENCE ONLY

RELATED DOCUMENTS 1. 2. 3. 4.	3RD ANGLE PROJECTION 	THIS DRAWING IS CONFIDENTIAL AND THE PROPERTY OF TURCK INC. USE OF THIS DOCUMENT WITHOUT WRITTEN PERMISSION IS PROHIBITED.		3000 CAMPUS DRIVE MINNEAPOLIS, MN 55441 1-800-544-7769 (763) 553-7300 (763) 553-0708 fax www.turck.us		
	MATERIAL SEE SPECIFICATIONS	ALL DIMENSIONS DISPLAYED ON THIS DRAWING ARE FOR REFERENCE ONLY	DRFT RWC	DATE 10/25/05	DESCRIPTION CKV-CC/180MM LANYARD	
			APVD	SCALE 1=1.0		
	FINISH SEE SPECIFICATIONS	CONTACT TURCK FOR MORE INFORMATION	UNIT OF MEASUREMENT MILLIMETER [INCH]		IDENTIFICATION NO. U2-02257	REV A
DO NOT SCALE THIS DRAWING		FILE: U2-02257		SHEET 1 OF 1		

A	DRAWING RELEASE	RWC	05/08/08	
REV	DESCRIPTION	BY	DATE	ECO NO.